



SWING GATE OPENERS

KOMET / TERRA-S / ZENIT-S



HIGH QUALITY AND
TESTED SECURITY



COMFORTABLE OPERATION
AND EASY INSTALLATION



ROBUST, DURABLE
AND RELIABLE

ELKA

TABLE OF CONTENTS

<u>Linear-rack gate opener KOMET for gate wings up to 6,000mm and 500kg</u>	<u>Page 04 - 05</u>
<u>Unterflur-Antrieb TERRA-S for gate wings up to 3,500mm and 500kg</u>	<u>Page 06 - 07</u>
<u>Gelenkarm-Antrieb ZENIT-S for gate wings up to 4,500mm and 450kg</u>	<u>Page 08 - 09</u>
<u>Controller MO 36 for all ELKA swing gate openers</u>	<u>Page 10 - 11</u>
<u>Locking devices with up to 150mm stroke</u>	<u>Page 12 - 13</u>
<u>Safety devices</u>	<u>Page 14 - 15</u>
<u>Access control devices</u>	<u>Page 16 - 17</u>
<u>Technical data</u>	<u>Page 18 - 23</u>
<u>ELKA - Partner with competence</u>	<u>Page 24 - 31</u>



ELKA Swing gate openers

ELKA offers a selection of swing gate openers in elegant design for various purposes, as well as matching accessories, such as locking devices, radio remote control and safety devices.

Our technically trained specialists on the service phone will be happy to support you choose the right gate opener, answer your questions about specific details and provide a suitable offer.



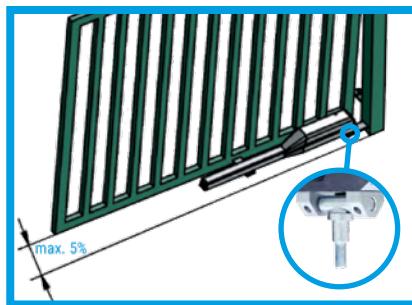
Linear-rack gate opener KOMET for gate wings up to 6,000mm and 500kg

The KOMET is a robust gate opener with linear-rack-technology in an elegant housing made of anodized aluminium and impact-resistant ABS. The linear-rack and the toothed wheels made of galvanized steel ensure a reliable and silent operation. The emergency release from top and bottom is another feature.

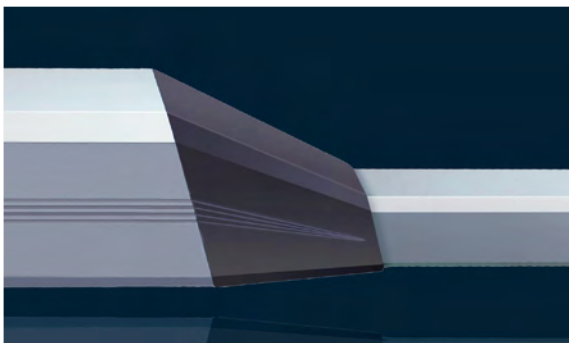
The KOMET is suitable for gate wings up to 6,000mm and 500kg and a variety of installation situations. For example, the swivelling connection ensures a smooth operation on rising terrain (up to max. 5%).



Emergency release from top and bottom

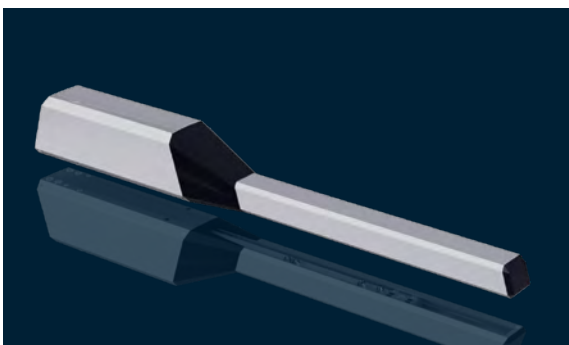


Swivelling connection for rising terrain



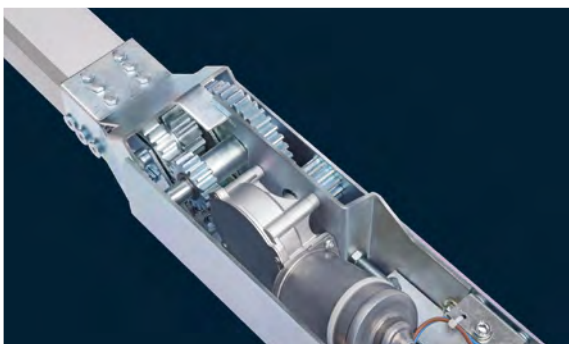
Material

- ✓ Housing made of anodized aluminium and impact-resistant ABS
- ✓ Linear-rack and toothed wheels made of galvanized steel



Stable substructure

- ✓ Withstands vertical compressive force up to 150kg
- ✓ For gate wings up to 6,000mm length and 500kg weight



Innovative

- ✓ Linear-rack technology
- ✓ Reliable and silent operation
- ✓ Emergency release from top and bottom

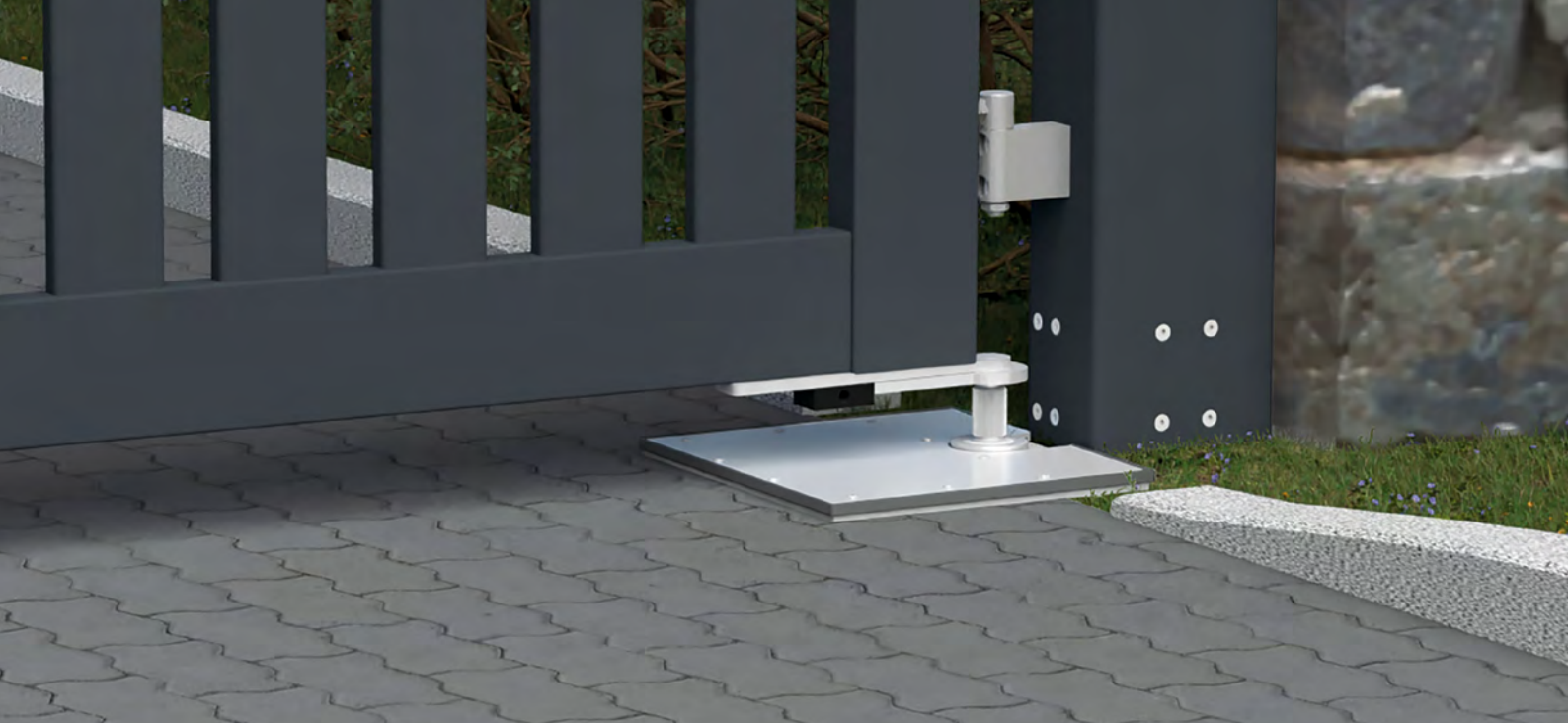


Motor or electromagnetic lock required from 3,000mm gate wing length.

[More information on page 12/13.](#)



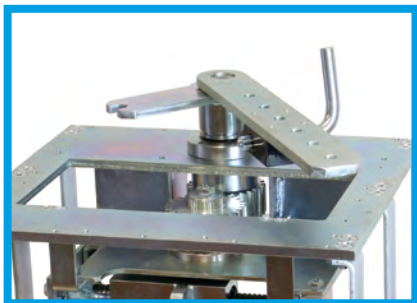
Professional controller with many other advantages (e.g. power reversal, pedestrian opening function or connection of safety devices) [on page 10/11.](#)



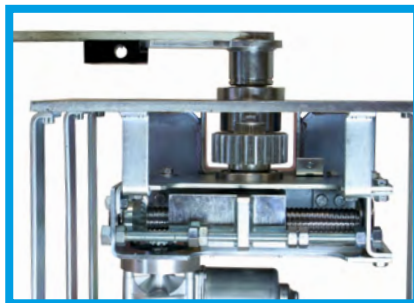
Underfloor gate opener TERRA-S for gate wings up to 3,500mm and 500kg

The TERRA-S is a unique underfloor gate opener, who convinces due to its solid workmanship. The accurately adjusted recirculating ballscrew ensures an even pass of motion of the gate. Internal stops permit the use without external stops for GATE OPEN.

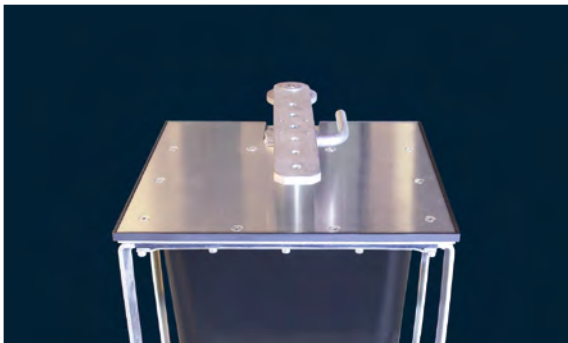
The stable frame structure transfers the weight of the gate and the torsional force into the foundation. The support plate of the mechanics is connected with the plastic bowl by the manufacturer. The housing is hermetically sealed through the grinded cover plate made of stainless steel. For adjusting purposes a comfortable opening is provided.



Emergency release



Recirculating ball screw with internal stops



Material

- ✓ Cover plate made of stainless steel
- ✓ Housing made of plastic



Stable substructure

- ✓ Frame structure transfers the weight of the gate and the torsional force into the foundation
- ✓ For gate wings up to 3,500mm length und 500kg weight



Innovative

- ✓ External stops are not required
- ✓ An accurately adjusted recirculating ballscrew ensures an even pass of motion of the gate



Motor or electromagnetic lock required from 3,000mm gate wing length.
[More information on page 12/13.](#)



Professional controller with many other advantages (e.g. power reversal, pedestrian opening function or connection of safety devices) [on page 10/11.](#)

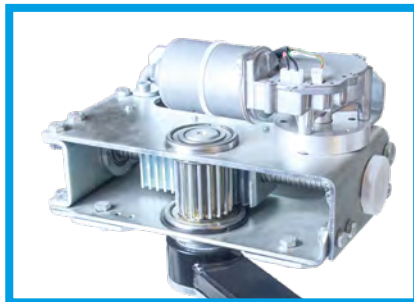


Gate opener with articulated arm ZENIT-S for gate wings up to 4,500mm and 450kg

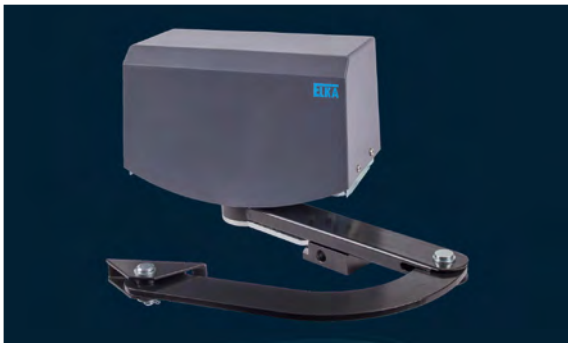
The ZENIT-S is a durable swing gate opener with articulated arm, suitable for a variety of installation situations. Three different articulated arm versions are available. The accurately adjusted recirculating ballscrew ensures an even pass of motion of the gate. Internal stops permit the use without external stops for GATE OPEN.



Emergency release

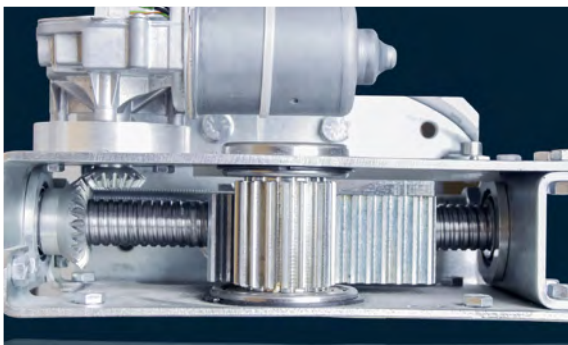


Recirculating ball screw with internal stops



Material

- ✓ Stable substructure made of galvanized steel
- ✓ Housing made of impact-resistant ABS



Stable substructure

- ✓ An accurately adjusted recirculating ballscrew ensures an even pass of motion of the gate
- ✓ For gate wings up to 4,500mm length und 450kg weight



Innovative

- ✓ External stops are not required
- ✓ Three different articulated arm versions

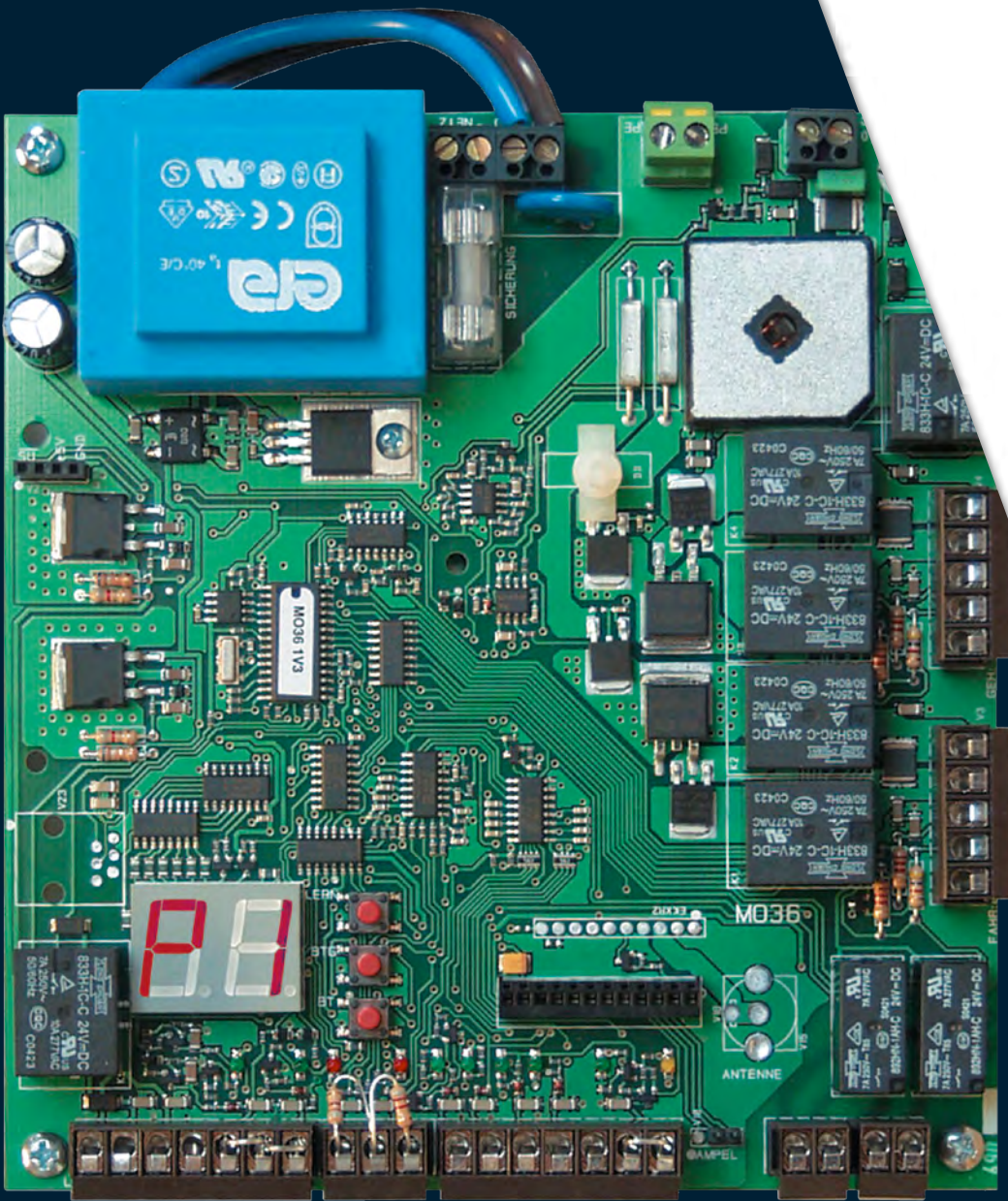


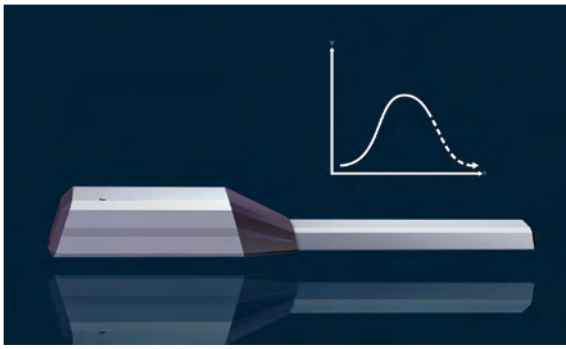
Motor or electromagnetic lock required from 3,000mm gate wing length.
[More information on page 12/13.](#)



Professional controller with many other advantages (e.g. power reversal, pedestrian opening function or connection of safety devices) [on page 10/11.](#)

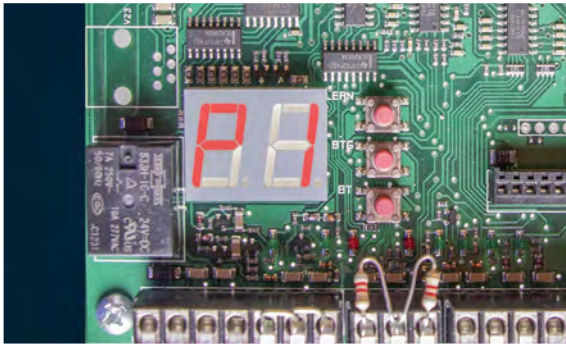
CONTROLLER MO 36





Perfect running performance

- ✓ Soft-start and soft-stop
- ✓ Automatic closure (1-299s)
- ✓ Speed selectable in 8 steps
- ✓ OPEN and CLOSE adjustable separately for each gate wing
- ✓ Gust suppression selectable



Simple operation

- ✓ 2x7 segment display
- ✓ One button or three button input
- ✓ Multi-functional relay for third radio remote control channel
- ✓ Fast analysis via LEDs at the inputs



Safety

- ✓ Stop and reversing for a short distance
- ✓ Photoelectric barrier connection with testing function
- ✓ Connection for safety contact profiles (8,2kOhm)



Comfortable

- ✓ Complete and partial opening (pedestrian opening function)
- ✓ Plug-terminals for easy installation



Expandable

- ✓ Remote control receiver
- ✓ Connection of traffic lights via additional module (extra charge)

LOCKING DEVICES





Electromagnetic bolt E202

- ✓ Stroke 15mm, with stainless steel pin, Ø 20mm
- ✓ Dimensions (WxLxH) 51 x 54 x 210mm
- ✓ Controllable via controller MO 36
- ✓ Release via round cylinder lock
- ✓ Locks either down or sideways
- ✓ Supply voltage 24Vdc
- ✓ For the use with 230V swing gate openers a transformer is required (extra charge)



Electromagnetic bolt E205

- ✓ Stroke 50mm, with stainless steel pin, Ø 20mm
- ✓ Dimensions (WxLxH) 92 x 58 x 298mm
- ✓ Controllable via controller MO 36
- ✓ Release via profile half cylinder
- ✓ Locks either down or sideways
- ✓ Supply voltage 24Vdc
- ✓ For the use with 230V swing gate openers a transformer is required (extra charge)



Motor lock M315

- ✓ Stroke 150mm, with stainless steel pin, Ø 30mm
- ✓ Dimensions hood (WxLxH) 146 x 146 x 440mm
- ✓ Dimensions controller (WxLxH) 140 x 95 x 230mm
- ✓ Controllable by all gate controllers with warning light connection and pre-warning time (potential-free or 24Vdc or 230Vac)
- ✓ Release via swivelling lever lock with profile cylinder
- ✓ Locks either down or sideways
- ✓ Adjustable power reversal
- ✓ Reporting back OPEN/ CLOSED connectable
- ✓ Complete with controller MO 90



ELKA



Traffic lights and flashing lights

- ✓ Traffic lights available in red or green (Additional module required)
- ✓ Flashing lights as warning devices



Photoelectric barriers

- ✓ Transmitter and receiver
- ✓ Up to 18m range



Safety contact profile

- ✓ Activation at 19mm or 41mm compression
- ✓ Individual cutting

ACCESS CONTROL DEVICES





Code and key switches

- ✓ Code switch with foil keypad or vandalism protected stainless steel keypad
- ✓ Key switch including keys, flush or surface mounting



Card reader

- ✓ Contactless card reader
- ✓ For up to 199 cards



Radio remote control transmitter

- ✓ 1-, 2- or 4-channel, 434MHz or 868MHz
- ✓ Codeable, very good range
- ✓ Optionally with own logo (extra charge)

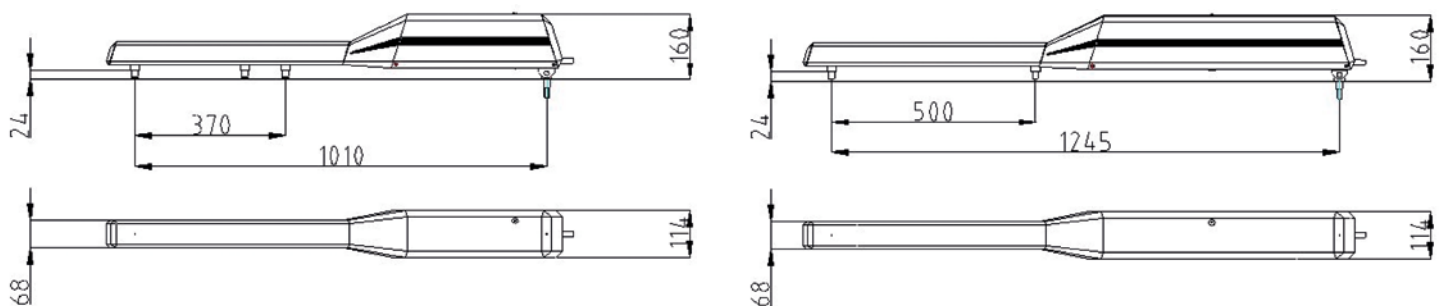
TECHNICAL DATA KOMET

Type	KOMET 200	KOMET 280	KOMET 400	KOMET 600
Max. gate wing length with max. 50% wind resistance	2,000mm	2,800mm	4,000mm	6,000mm
Max. gate wing weight	200kg	300kg	400kg	500kg
Max. thrust	1350N		1900N	2850N
Max. stroke	370mm			500mm
Required electromagnetic or motor lock	no		yes	
Emergency release	from top and bottom			
Max. opening angle* ¹	120°			
Internal stops	optional* ²	yes	no	
External stops required at OPEN position* ³	yes	no	yes	
External stops required at CLOSED position* ³	yes	no	yes	
Power supply	230V, 50Hz			
Motor voltage	24V dc			
Cycles / h	40°C: max. 35 cycles / h 50°C: max. 15 cycles / h			
Degree of protection	IP 44			
Temperature range	-20°C to +50°C			

*¹ Depending on installation dimensions (more information on page 19)

*² If internal stops are used, no external stops are required

*³ A perfect fixation of the gate in position OPEN and CLOSED is only possible with external stops!



All dimensions in mm.

Installation dimensions	KOMET 200	KOMET 280	KOMET 400	KOMET 600
C	approx. 100mm		approx. 100mm	
D	approx. 80mm		approx. 120mm	
E	1,010mm		1,245mm	

OPENING ANGLE DEPENDING ON DIMENSIONS A AND B

KOMET 200	A / B	A / B	A / B	A / B	A / B
90°	140mm / 140mm	150mm / 150mm	160mm / 160mm	170mm / 170mm	180mm / 180mm
95°	140mm / 130mm	150mm / 140mm	160mm / 150mm	170mm / 160mm	180mm / 170mm
100°	150mm / 130mm	160mm / 140mm	170mm / 150mm	180mm / 160mm	-
105°	160mm / 130mm	170mm / 140mm	180mm / 150mm	-	-
110°	170mm / 130mm	180mm / 140mm	-	-	-
115°	180mm / 130mm	-	-	-	-
120°	180mm / 120mm	-	-	-	-

KOMET 280	A / B	A / B	A / B	A / B
90°	150mm / 150mm	160mm / 160mm	170mm / 170mm	180mm / 180mm
95°	150mm / 140mm	160mm / 150mm	170mm / 160mm	180mm / 170mm
100°	160mm / 140mm	170mm / 150mm	180mm / 160mm	-
105°	160mm / 130mm	170mm / 140mm	180mm / 150mm	-
110°	170mm / 130mm	180mm / 140mm	-	-
115°	180mm / 130mm	-	-	-
120°	180mm / 120mm	-	-	-

KOMET 400	A / B	A / B	A / B
90°	160mm / 160mm	170mm / 170mm	180mm / 180mm
95°	160mm / 150mm	170mm / 160mm	180mm / 170mm
100°	170mm / 150mm	180mm / 160mm	-
105°	170mm / 140mm	180mm / 150mm	-
110°	180mm / 140mm	-	-
115°	180mm / 130mm	-	-
120°	180mm / 120mm	-	-

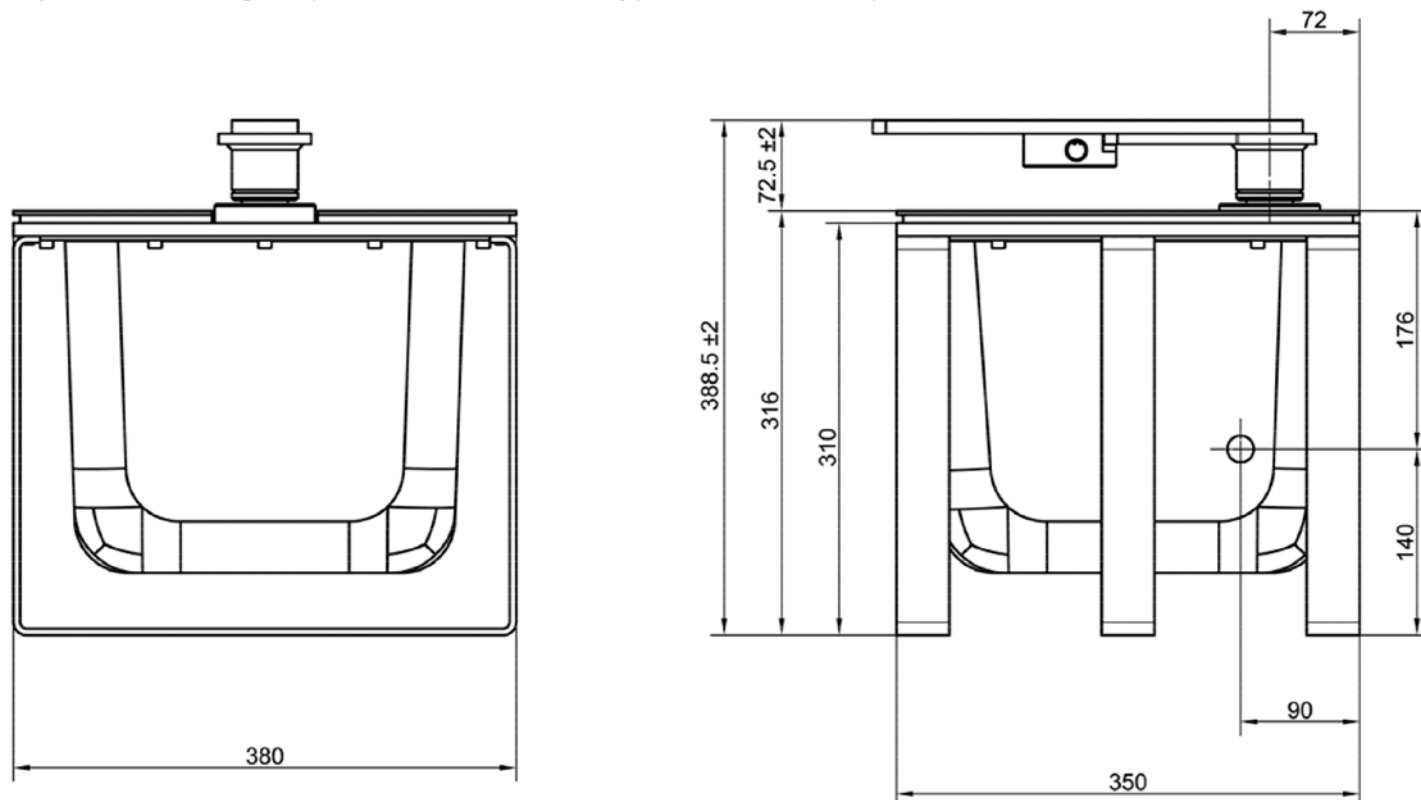
KOMET 600	A / B	A / B
90°	225mm / 225mm	240mm / 240mm
95°	225mm / 210mm	240mm / 225mm
100°	225mm / 195mm	240mm / 210mm
105°	225mm / 180mm	240mm / 195mm
110°	240mm / 180mm	-
115°	240mm / 165mm	-
120°	240mm / 150mm	-

TECHNICAL DATA TERRA-S

Type	TERRA-S 250	TERRA-S 350
Max. gate wing length with max. 50% wind resistance	2,500mm	3,500mm
Max. gate wing weight	500kg	
Max. torque	300Nm	
Required electromagnetic or motor lock	no	yes
Emergency release, installation under the gate	from inside and outside	
Emergency release, installation next to the gate	from inside	
Max. opening angle* ¹	180°	
Internal stops	yes	
External stops required at OPEN position* ²	no	
External stops required at CLOSED position* ²	recommended	yes
Power supply	230V, 50Hz	
Motor voltage	24V dc	
Cycles / h	40°C: max. 35 cycles / h 50°C: max. 15 cycles / h	
Degree of protection, drive unit	IP 65	
Degree of protection, controller	IP 44	
Temperature range	-20°C to +50°C	

*¹ Depending on installation dimensions (more information on page 21)

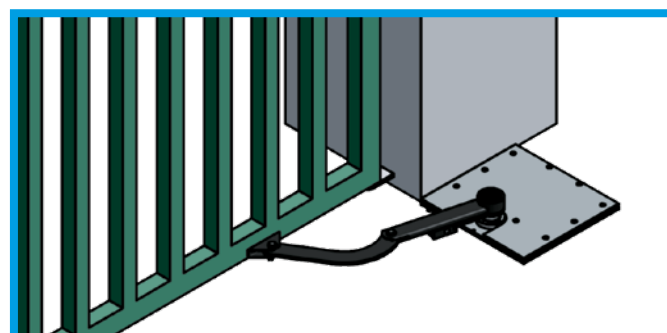
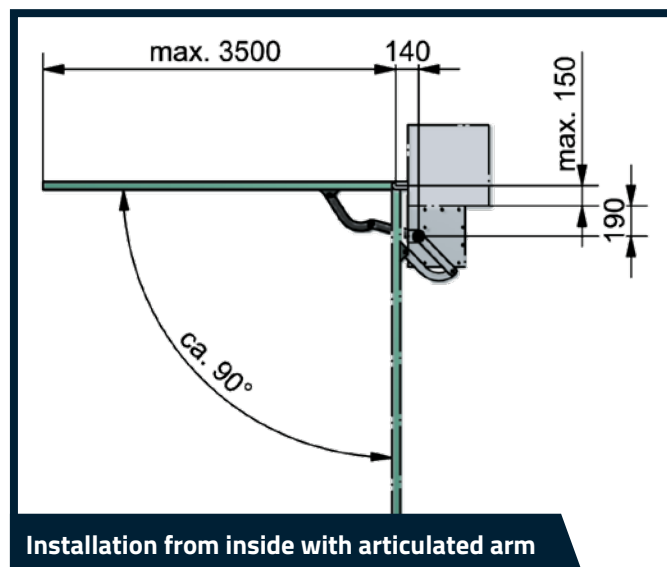
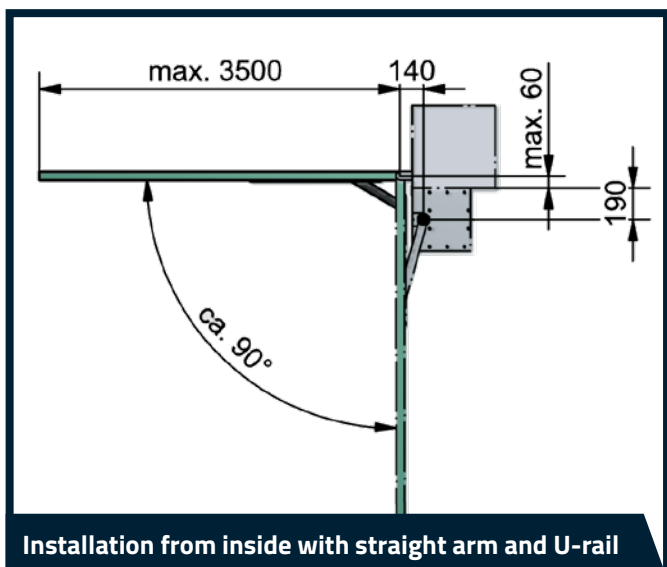
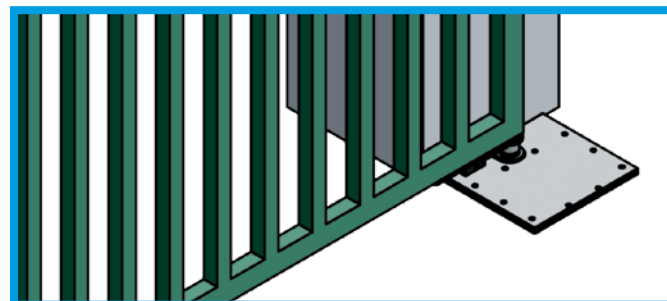
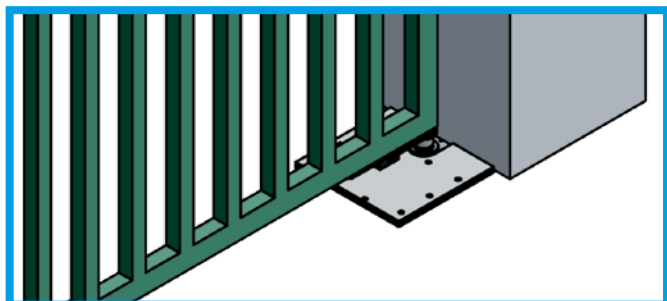
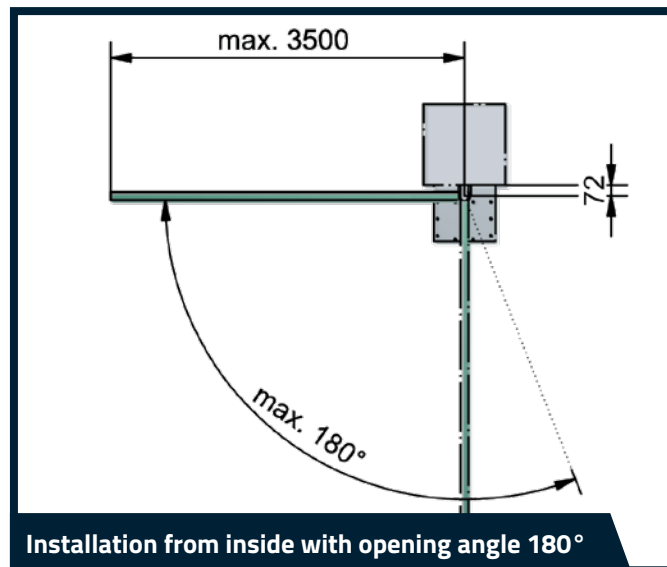
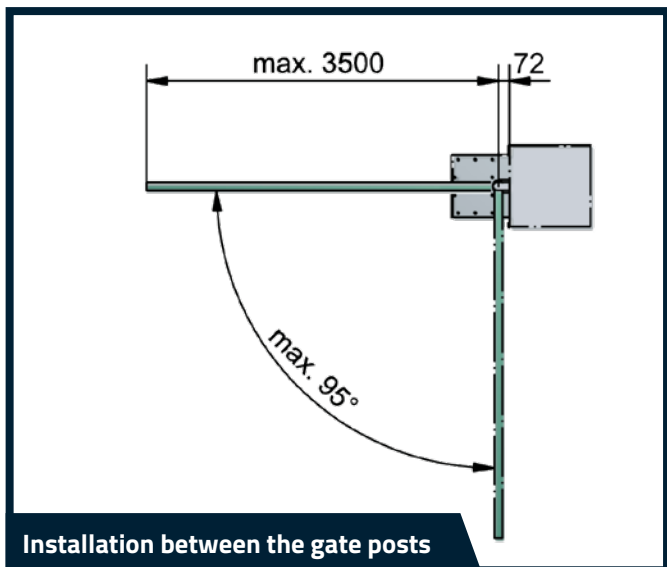
*² A perfect fixation of the gate in position OPEN and CLOSED is only possible with external stops!



All dimensions in mm.

We reserve the right to make technical alterations.

VARIANTS TERRA-S

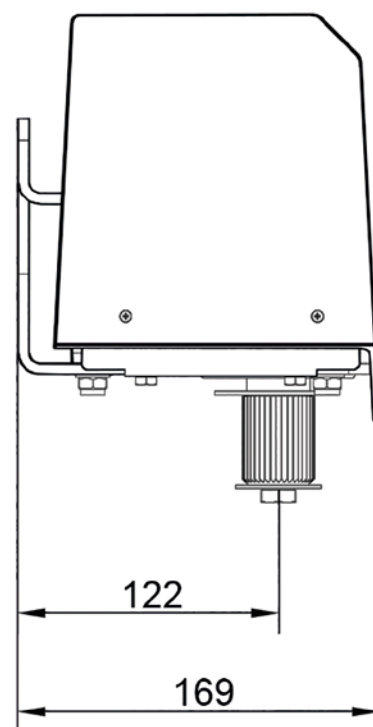
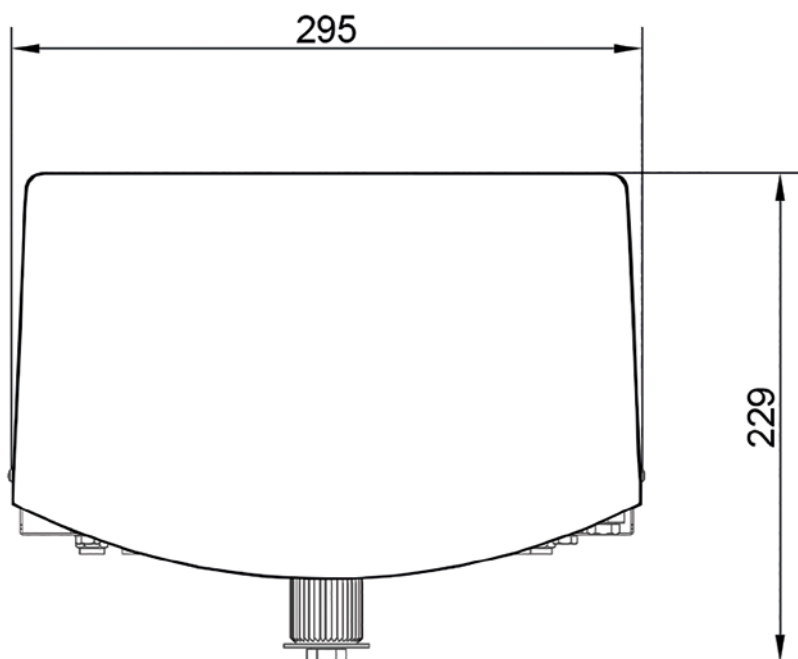


TECHNICAL DATA ZENIT-S

Type	ZENIT-S 300	ZENIT-S 450
Max. gate wing length with max. 50% wind resistance	3,000mm	4,500mm
Max. gate wing weight	300kg	450kg
Max. torque	300Nm	
Required electromagnetic or motor lock	no	yes
Emergency release	on the side of the articulated arm	
Max. opening angle* ¹	120°	
Internal stops	yes	
External stops required at OPEN position* ²	no	
External stops required at CLOSED position* ²	recommended	yes
Power supply	230V, 50Hz	
Motor voltage	24V dc	
Cycles / h	40°C: max. 35 cycles / h 50°C: max. 15 cycles / h	
Degree of protection	IP 44	
Temperature range	-20°C to +50°C	

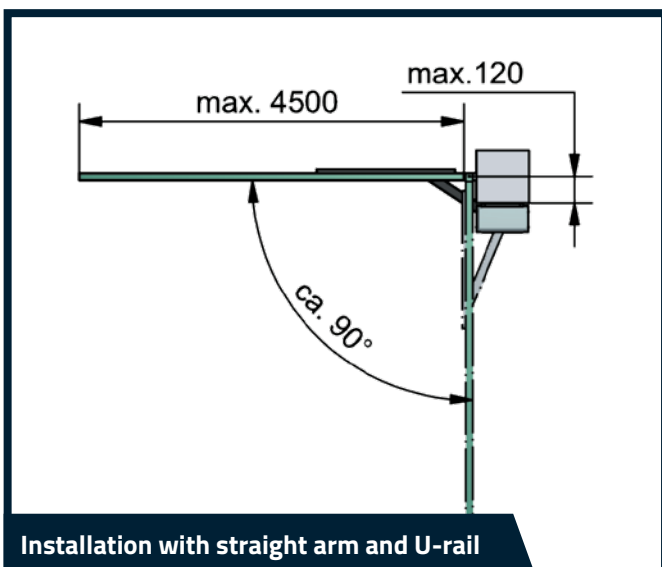
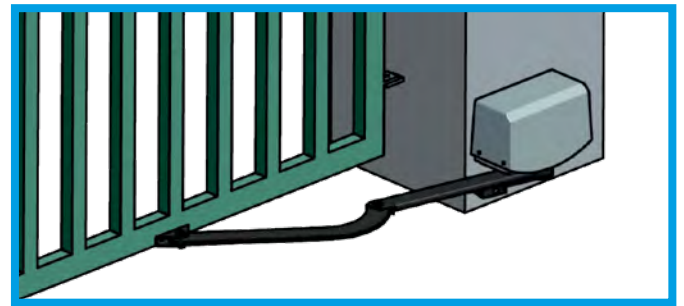
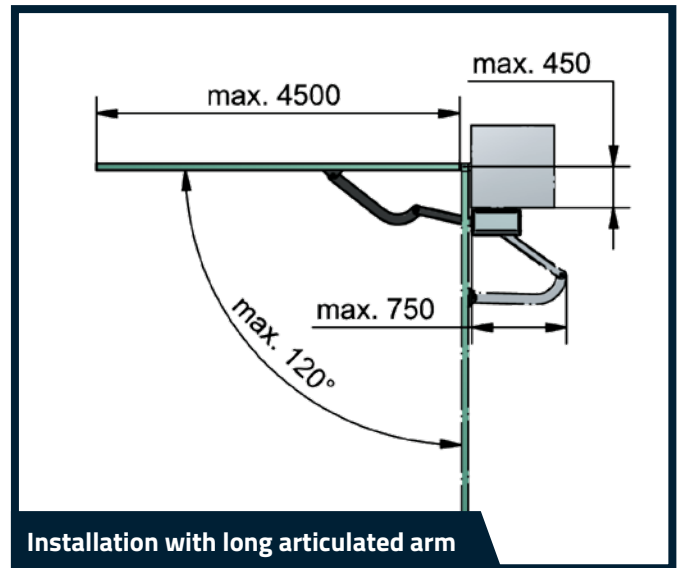
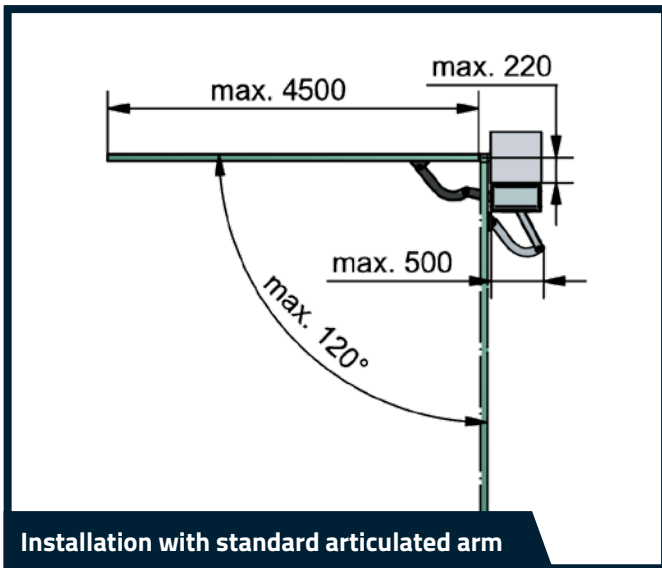
*¹ Depending on installation dimensions (more information on page 23)

*² A perfect fixation of the gate in position OPEN and CLOSED is only possible with external stops!



All dimensions in mm.

VARIANTS ZENIT-S



ELKA TORANTRIEBE

PARTNER WITH COMPETENCE



ELKA

ELKA is a German manufacturer of gate openers and barrier systems of high quality with an experience of more than 40 years. We place a great value on high quality components, easy installation and customerfriendly service. „Partner with competence“- the management as well as the employees feel committed to this philosophy. ELKA stands for individual customer service. Fast order processing, short delivery times and adherence to deadlines are a matter of course for us. Our technicians at the service telephone know all products in detail and assist you during the planning of your projects. We are looking forward to your enquiries.

- ✔ Competent support
- ✔ Short delivery times and adherence to delivery dates
- ✔ Quality „Made in Germany“



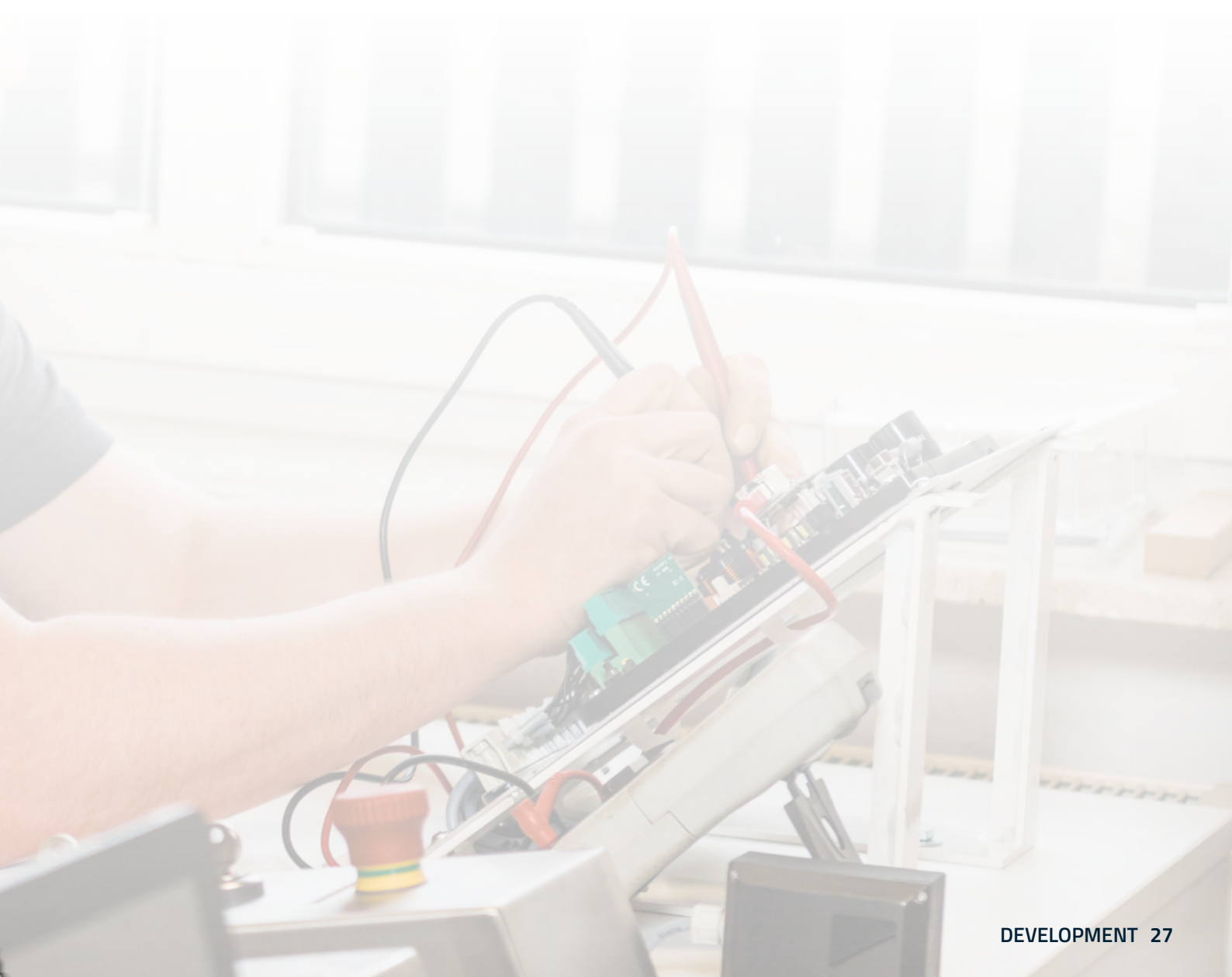


We develop products for our customers. We have the highest demands on quality, functionality and comfort. Early in the development phase, suppliers, production department and customers are involved in the development process. All ELKA products are constantly supervised by the product development department and are continuously developed and improved – also after product market launch.

✓ In-house product development

✓ Support beyond development

✓ TÜV-tested products



QUALITY TO THE LAST DETAIL



ELKA

We meet our high quality standards through the use of high-quality materials and coordinated components. All goods received are controlled at delivery on quality and technical specifications and are tested by using a 3D coordinate measuring machine. This enables us to guarantee precisely fitting components and an optimal installation process. Our production processes are regularly monitored. It goes without saying that every product is subjected to a comprehensive final inspection and functional tests before delivery.

- ✓ Precisely incoming goods inspection
- ✓ Supervised production processes
- ✓ Final inspections and functional tests



INDIVIDUAL SUPPORT



ELKA

ELKA delivers products worldwide to more than 80 countries and supports the customers in three languages. Technically trained specialists and engineers respond individually to customer needs. For more than 40 years ELKA stands for a professional order processing, short delivery times and adherence to delivery times – benefit from our experience and take part in one of our technical training courses. Visit us at our factory in Tönning or at one of the trade fairs worldwide where ELKA exhibits.

Further information can be found on our website: www.elka.eu


- ✓ Personal customer service
- ✓ Professional order processing
- ✓ Individual shipping organization





ELKA-Torantriebe GmbH u. Co. Betriebs KG
Dithmarscher Str. 9, 25832 Tönning / Germany

 info@elka.eu

 +49(0)4861-9690-0

 www.elka.eu

 +49(0)4861-9690-90